

(12) INTERNATIONAL APPLICATION PUBLISHED UNDER THE PATENT COOPERATION TREATY (PCT)

(19) World Intellectual Property Organization
International Bureau



(43) International Publication Date
3 January 2002 (03.01.2002)

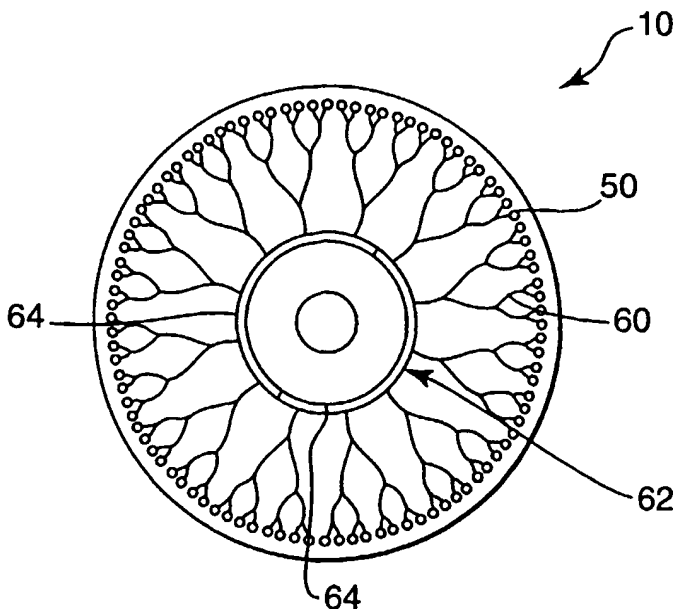
(10) International Publication Number
WO 02/000347 A3

PCT

- (51) International Patent Classification⁷: B01L 7/00, 3/00, B01J 19/00, G01N 21/07, C12Q 1/68
- (21) International Application Number: PCT/US01/20707
- (22) International Filing Date: 28 June 2001 (28.06.2001)
- (25) Filing Language: English
- (26) Publication Language: English
- (30) Priority Data:
- | | | |
|------------|-----------------------------|----|
| 60/214,642 | 28 June 2000 (28.06.2000) | US |
| 60/214,508 | 28 June 2000 (28.06.2000) | US |
| 60/237,051 | 2 October 2000 (02.10.2000) | US |
| 60/260,063 | 6 January 2001 (06.01.2001) | US |
| 60/284,637 | 18 April 2001 (18.04.2001) | US |
- (71) Applicant: 3M INNOVATIVE PROPERTIES COMPANY [US/US]; 3M Center, Post Office Box 33427, Saint Paul, MN 55133-3427 (US).
- (72) Inventors: BEDINGHAM, William; Post Office Box 33427, Saint Paul, MN 55133-3427 (US). RAJAGOPAL, Raj; Post Office Box 33427, Saint Paul, MN 55133-3427 (US). ROBOLE, Barry, W.; Post Office Box 33427, Saint Paul, MN 55133-3427 (US). SESHADRI, Kannan; Post Office Box 33427, Saint Paul, MN 55133-3427 (US).
- (74) Agents: SPRAGUE, Robert W. et al.; Office of Intellectual Property Counsel, Post Office Box 33427, Saint Paul, MN 55133-3427 (US).
- (81) Designated States (*national*): AE, AG, AL, AM, AT, AT (utility model), AU, AZ, BA, BB, BG, BR, BY, BZ, CA, CH, CN, CO, CR, CU, CZ, CZ (utility model), DE, DE (utility model), DK, DK (utility model), DM, DZ, EC, EE, EE (utility model), ES, FI, FI (utility model), GB, GD, GE, GH, GM, HR, HU, ID, IL, IN, IS, JP, KE, KG, KP, KR, KZ, LC, LK, LR, LS, LT, LU, LV, MA, MD, MG, MK, MN, MW, MX, MZ, NO, NZ, PL, PT, RO, RU, SD, SE, SG, SI, SK, SK (utility model), SL, TJ, TM, TR, TT, TZ, UA, UG, UZ, VN, YU, ZA, ZW.
- (84) Designated States (*regional*): ARIPO patent (GH, GM, KE, LS, MW, MZ, SD, SL, SZ, TZ, UG, ZW), Eurasian patent (AM, AZ, BY, KG, KZ, MD, RU, TJ, TM), European patent (AT, BE, CH, CY, DE, DK, ES, FI, FR, GB, GR, IE, IT, LU, MC, NL, PT, SE, TR), OAPI patent (BF, BJ, CF, CG, CI, CM, GA, GN, GW, ML, MR, NE, SN, TD, TG).
- Published:
- with international search report
 - before the expiration of the time limit for amending the claims and to be republished in the event of receipt of amendments

[Continued on next page]

(54) Title: SAMPLE PROCESSING DEVICES, SYSTEMS AND METHODS



(57) Abstract: Devices, systems, and methods for processing sample materials. The sample materials may be located in a plurality of process chambers in the device, which is in the form of a disk, rotated during heating of the sample materials. The temperature of the disk may be controlled by directing electromagnetic energy at its bottom surface while rotating it. Sample materials may be moved between process chambers using centrifugal force.

WO 02/000347 A3



WO 02/000347 A3



(88) Date of publication of the international search report:
10 October 2002

For two-letter codes and other abbreviations, refer to the "Guidance Notes on Codes and Abbreviations" appearing at the beginning of each regular issue of the PCT Gazette.

INTERNATIONAL SEARCH REPORT

International Application No

PCT/US 01/20707

A. CLASSIFICATION OF SUBJECT MATTER

IPC 7 B01L7/00 B01L3/00 B01J19/00 G01N21/07 C12Q1/68

According to International Patent Classification (IPC) or to both national classification and IPC

B. FIELDS SEARCHED

Minimum documentation searched (classification system followed by classification symbols)

IPC 7 B01L C12Q G01N F28F B04B G05D F16K

Documentation searched other than minimum documentation to the extent that such documents are included in the fields searched

Electronic data base consulted during the international search (name of data base and, where practical, search terms used)

EPO-Internal

C. DOCUMENTS CONSIDERED TO BE RELEVANT

Category *	Citation of document, with indication, where appropriate, of the relevant passages	Relevant to claim No.
X	EP 0 693 560 A (BECTON DICKINSON CO) 24 January 1996 (1996-01-24)	14, 19, 20
Y		1-6, 15, 16, 21, 25
A	column 7, line 48 -column 9, line 21 column 11, line 16-19, 35-40 column 12, line 55-58 column 13, line 55, 56 column 14, line 10-17, 39-45 column 16, line 22 -column 17, line 35 column 18, line 43 -column 19, line 4 column 20, line 6-39 figures 2-4, 15, 16 claims 1, 8	12, 13, 37, 40-42, 58-60, 62, 82, 83



Further documents are listed in the continuation of box C.



Patent family members are listed in annex.

* Special categories of cited documents :

- *A* document defining the general state of the art which is not considered to be of particular relevance
- *E* earlier document but published on or after the international filing date
- *L* document which may throw doubts on priority claim(s) or which is cited to establish the publication date of another citation or other special reason (as specified)
- *O* document referring to an oral disclosure, use, exhibition or other means
- *P* document published prior to the international filing date but later than the priority date claimed

- *T* later document published after the international filing date or priority date and not in conflict with the application but cited to understand the principle or theory underlying the invention
- *X* document of particular relevance; the claimed invention cannot be considered novel or cannot be considered to involve an inventive step when the document is taken alone
- *Y* document of particular relevance; the claimed invention cannot be considered to involve an inventive step when the document is combined with one or more other such documents, such combination being obvious to a person skilled in the art.
- *&* document member of the same patent family

Date of the actual completion of the international search

12 August 2002

Date of mailing of the international search report

22. 08. 2002

Name and mailing address of the ISA

European Patent Office, P.B. 5818 Patentlaan 2
NL - 2280 HV Rijswijk
Tel. (+31-70) 340-2040, Tx. 31 651 epo nl,
Fax: (+31-70) 340-3016

Authorized officer

Wyplosz, N

INTERNATIONAL SEARCH REPORT

International Application No

PCT/US 01/20707

C.(Continuation) DOCUMENTS CONSIDERED TO BE RELEVANT		
Category *	Citation of document, with indication, where appropriate, of the relevant passages	Relevant to claim No.
Y	<p>-----</p> <p>WO 97 46707 A (RASMUSSEN RANDY P ;UNIV UTAH RES FOUND (US); RIRIE KIRK M (US); WI) 11 December 1997 (1997-12-11) page 28, line 19 -page 29, line 14</p> <p>-----</p>	1-6,15, 16,21,25
A	<p>WO 98 53311 A (GAMERA BIOSCIENCE CORP) 26 November 1998 (1998-11-26)</p> <p>page 13, line 9-12 page 19, line 9-17 page 21, line 5-9 page 25, line 6-11,23-31 page 46, line 15 -page 49, line 6 page 52, line 9 -page 55, line 10 page 85, line 25 -page 87, line 5 figures 1,2,5,29,39</p> <p>-----</p>	7,9, 11-13, 25,37, 39-47, 58-62, 81,83,84
A	<p>US 5 863 502 A (SOUTHGATE PETER DAVID ET AL) 26 January 1999 (1999-01-26) figures 10,14 column 4, line 26 - line 30 column 5, line 57 - line 60 column 18, line 39 - line 42 column 18, line 55 -column 19, line 29 claims 11,12</p> <p>-----</p>	9,37,81
A	<p>WO 97 21090 A (GAMERA BIOSCIENCE) 12 June 1997 (1997-06-12) page 22, line 5 - line 17 page 24, line 20 -page 28, line 9</p> <p>-----</p>	43,44,56
A	<p>US 4 244 916 A (GUIGAN JEAN) 13 January 1981 (1981-01-13) column 2, line 56 - line 57</p> <p>-----</p>	47,61
A	<p>DE 37 12 624 A (HOLZER WALTER) 3 November 1988 (1988-11-03) column 2, line 5 - line 13 figures 2,3</p> <p>-----</p>	56,57
A	<p>EP 0 810 030 A (PERKIN ELMER CORP) 3 December 1997 (1997-12-03) page 9, line 18 - line 21</p> <p>-----</p>	38,85

INTERNATIONAL SEARCH REPORT

International application No.
PCT/US 01/20707

Box I Observations where certain claims were found unsearchable (Continuation of item 1 of first sheet)

This International Search Report has not been established in respect of certain claims under Article 17(2)(a) for the following reasons:

1. Claims Nos.:
because they relate to subject matter not required to be searched by this Authority, namely:

2. Claims Nos.:
because they relate to parts of the International Application that do not comply with the prescribed requirements to such an extent that no meaningful International Search can be carried out, specifically:

3. Claims Nos.:
because they are dependent claims and are not drafted in accordance with the second and third sentences of Rule 6.4(a).

Box II Observations where unity of invention is lacking (Continuation of item 2 of first sheet)

This International Searching Authority found multiple inventions in this international application, as follows:

see additional sheet

1. As all required additional search fees were timely paid by the applicant, this International Search Report covers all searchable claims.

2. As all searchable claims could be searched without effort justifying an additional fee, this Authority did not invite payment of any additional fee.

3. As only some of the required additional search fees were timely paid by the applicant, this International Search Report covers only those claims for which fees were paid, specifically claims Nos.:

1-47, 56-62 (in part), 81-85

4. No required additional search fees were timely paid by the applicant. Consequently, this International Search Report is restricted to the invention first mentioned in the claims; it is covered by claims Nos.:

Remark on Protest

- The additional search fees were accompanied by the applicant's protest.
- No protest accompanied the payment of additional search fees.

FURTHER INFORMATION CONTINUED FROM PCT/ISA/ 210

This International Searching Authority found multiple (groups of) inventions in this international application, as follows:

1. Claims: 1-8, 14-24, 25-36, 10 (in part), 56-62 (in part)

claims 10, 56-62: insofar they relate to one of the claims 1-8, 14-24 or 25-36

a method of conducting a thermal cycling process with control of the temperature by directing electromagnetic energy to a thermal structure while rotating

2. Claims: 9-13, 37-47, 81-85,
10 (in part) and 56-62 (in part)

claims 10 and 56-62: insofar they relate to one of the claims 9-13, 37-47 or 81-85

a method of conducting a thermal cycling process with control of the temperature by a thermoelectric module while rotating

3. Claims: 48-55, 56-62 (in part)

claims 56-62: insofar they relate to one of the claims 48-55

a method providing a device comprising a loading chamber and a first process chamber

4. Claims: 63-69

a device with valves comprising impermeable barriers

5. Claims: 70, 73

a device with a seal comprising shape memory polymer

6. Claim : 74

a device with a control pattern comprising at least one indicator

7. Claims: 75-80

a method of processing sample material comprising providing paramagnetic particles and a magnet

INTERNATIONAL SEARCH REPORT
Information on patent family members

International Application No
PCT/US 01/20707

Patent document cited in search report		Publication date	Patent family member(s)	Publication date
EP 0693560	A	24-01-1996	US 5639428 A	17-06-1997
			AU 2331095 A	01-02-1996
			BR 9503364 A	27-02-1996
			CA 2152307 A1	20-01-1996
			EP 0693560 A2	24-01-1996
			JP 8062225 A	08-03-1996
			SG 32408 A1	13-08-1996
WO 9746707	A	11-12-1997	AU 727296 B2	07-12-2000
			AU 3154797 A	05-01-1998
			AU 729644 B2	08-02-2001
			AU 3380097 A	05-01-1998
			AU 726501 B2	09-11-2000
			AU 3481297 A	05-01-1998
			CA 2256773 A1	11-12-1997
			CA 2257109 A1	11-12-1997
			EP 1179600 A1	13-02-2002
			EP 0912760 A2	06-05-1999
			EP 0906449 A2	07-04-1999
			EP 0912766 A1	06-05-1999
			EP 1033411 A2	06-09-2000
			JP 2000512138 T	19-09-2000
			JP 2000511435 T	05-09-2000
			JP 2000509608 T	02-08-2000
			NZ 333135 A	28-02-2000
			NZ 333136 A	27-03-2000
			NZ 333137 A	27-03-2000
			NZ 502323 A	28-09-2001
			WO 9746707 A2	11-12-1997
			WO 9746712 A2	11-12-1997
			WO 9746714 A1	11-12-1997
US 6245514 B1	12-06-2001			
US 6232079 B1	15-05-2001			
US 2002058258 A1	16-05-2002			
US 6174670 B1	16-01-2001			
WO 9853311	A	26-11-1998	AU 7591998 A	11-12-1998
			EP 0983504 A2	08-03-2000
			JP 2000514928 T	07-11-2000
			US 6063589 A	16-05-2000
			WO 9853311 A2	26-11-1998
			US 6302134 B1	16-10-2001
US 2001001060 A1	10-05-2001			
US 5863502	A	26-01-1999	AU 1825197 A	20-08-1997
			WO 9727324 A1	31-07-1997
WO 9721090	A	12-06-1997	AU 702403 B2	18-02-1999
			AU 1283397 A	27-06-1997
			CA 2239613 A1	12-06-1997
			CN 1208464 A	17-02-1999
			EP 0865606 A1	23-09-1998
			JP 2002503331 T	29-01-2002
			NO 982563 A	05-08-1998
			WO 9721090 A1	12-06-1997
			US 2001055812 A1	27-12-2001
			US 6319469 B1	20-11-2001
			AU 4144897 A	06-03-1998

INTERNATIONAL SEARCH REPORT
Information on patent family members

International Application No
PCT/US 01/20707

Patent document cited in search report	Publication date	Patent family member(s)	Publication date	
WO 9721090	A	EP 0917648 A1	26-05-1999	
		JP 2001503854 T	21-03-2001	
		WO 9807019 A1	19-02-1998	
		US 6143248 A	07-11-2000	
US 4244916	A	13-01-1981		
		FR 2400700 A1	16-03-1979	
		FR 2424531 A2	23-11-1979	
		AR 214812 A1	31-07-1979	
		AU 519830 B2	24-12-1981	
		AU 3900478 A	21-02-1980	
		BE 869392 A1	31-01-1979	
		BR 7805289 A	27-03-1979	
		CA 1103631 A1	23-06-1981	
		CH 625882 A5	15-10-1981	
		DE 2835362 A1	01-03-1979	
		DK 363878 A ,B,	19-02-1979	
		ES 472675 A1	16-02-1979	
		GB 2003602 A ,B	14-03-1979	
		IE 47392 B1	07-03-1984	
		IL 55303 A	26-10-1980	
		IN 148205 A1	29-11-1980	
		IT 1097442 B	31-08-1985	
		JP 1140456 C	24-03-1983	
		JP 54033090 A	10-03-1979	
		JP 57031095 B	02-07-1982	
		LU 80100 A1	15-05-1979	
		MX 146074 A	11-05-1982	
		NL 7808431 A ,B,	20-02-1979	
		NZ 188131 A	05-03-1980	
		RO 74501 A1	06-07-1982	
		SE 438052 B	25-03-1985	
		SE 7808643 A	19-02-1979	
		US 4154793 A	15-05-1979	
		ZA 7804680 A	29-08-1979	
		SU 1007560 A3	23-03-1983	
DE 3712624	A	03-11-1988	DE 3712624 A1	03-11-1988
EP 0810030	A	03-12-1997		
		EP 1157744 A1	28-11-2001	
		EP 0812621 A1	17-12-1997	
		EP 0810030 A1	03-12-1997	
		AT 165621 T	15-05-1998	
		AT 216284 T	15-05-2002	
		AU 696482 B2	10-09-1998	
		AU 2493495 A	07-12-1995	
		AU 662494 B2	07-09-1995	
		AU 8832791 A	04-06-1992	
		AU 9700298 A	04-03-1999	
		CA 2056743 A1	30-05-1992	
		DE 69129325 D1	04-06-1998	
		DE 69129325 T2	10-09-1998	
		DE 69132992 D1	23-05-2002	
		DE 488769 T1	17-12-1992	
		DE 812621 T1	13-08-1998	
		DE 810030 T1	24-09-1998	
		DK 488769 T3	07-10-1998	
		EP 0488769 A2	03-06-1992	
		ES 2033640 T1	01-04-1993	

INTERNATIONAL SEARCH REPORT
Information on patent family members

International Application No
PCT/US 01/20707

Patent document cited in search report	Publication date	Patent family member(s)	Publication date
EP 0810030	A	GR 92300125 T1	16-03-1993
		IE 914170 A1	03-06-1992
		IL 100209 A	15-03-1995
		IL 111091 A	31-12-1995
		IL 111092 A	18-06-1996
		JP 6233670 A	23-08-1994
		KR 236506 B1	15-01-2000
		NZ 240800 A	26-10-1995
		NZ 270628 A	26-10-1995
		NZ 270629 A	26-10-1995
		US 5282543 A	01-02-1994
		US 5710381 A	20-01-1998
		US 6015534 A	18-01-2000
		US 2002072112 A1	13-06-2002
		US 5602756 A	11-02-1997
		US 5475610 A	12-12-1995

THIS PAGE BLANK (USPTO)